



WOODCRAFT GUILD TASMANIA INC.

fostering Tasmanian woodcrafts
woodguildtas@gmail.com

Newsletter No. 188
April - May 2022

News from your President, Clinton Luckock

Looking Ahead

Guild Meeting on Tuesday 14 June - Rod Daly will demonstrate 'Pen Turning'

Guild Meeting on Tuesday 12 July - Glenn Sheppard will talk about and demonstrate 'Wood Carving'

Guild AGM on Tuesday 9 August - put this date in your diary! Tom Black will talk about and demonstrate user-friendly design software for your computer 'Sketch Up'

Recent News and Activities

The Tasmanian Men's Shed Association grant has been used to purchase the new Laguna dust extractor and a second air filter, both of which are now at the Guild workshop.

Membership - over the past two months we have added six new members. Some joined through the woodturning classes and others just keen woodworkers who are looking for the camaraderie of like-minded people, to learn from others and share experiences & knowledge. We welcome you all to the Guild.

April's Guild meeting was a great Show & Tell followed by a demonstration and talk by John Penprase on the techniques, tips and tricks of securely holding turning wood on a wood lathe. Chucks, face plates, screws, friction mounting, home-made jigs, etc., etc. and good advice for the wood turners with plenty of discussion afterwards. Thank you John!

On Saturday 9th April many members participated in a visit to Tom Black's workshop at Old Beach. Tom has accumulated some great workshop equipment, has a very good shed layout and still has room to swing a cat (subject to RSPCA approval). Tom's newest addition to the workshop is a very large, old and solid planer/jointer that will take pride of place when it is refurbished. I look forward to revisiting when he has commissioned this old treasure. We all enjoyed Tom's hospitality and there was plenty of discussion with Tom and among members. Thank you again Tom!

The May Guild meeting was another great Show & Tell that was followed by Stool Making Part 2, by George Harris and John Penprase, to complete the 3 legged stool started in the March general meeting demonstration. This generated lots of further discussion, advice and questions. A very practical and informative demonstration! Thanks again George & John!

On Saturday 14 May many members participated in a workshop visit to Ken Dowling's workshop at Blackmans Bay which included morning tea provided by Ken's better half Lyn, Thanks Lyn. Ken's workshop was impressive, clean, well set out and we all got ideas and tips or just enjoyed the discussion, thanks very much Ken! Then we set off for a visit to George Harris's workshop and new home under construction at Sandfly. George's workshop is a wonderland of timber, great older machinery, tools and treasures. George's house is a masterpiece of modern contemporary building design, function and practicality with a great outlook to boot. I am sure it will blend seamlessly into the environment over the years and serve him very well. This was followed up with a BBQ lunch and lots of talk and stories. Thank you, George. This was a great day out for all who attended, and we greatly appreciated the hospitality of Ken, Lyn and George.

Royal Hobart Show - you are probably aware by now that the Show is back on the agenda for the next three years, to be conducted at the Royal Hobart Regatta site. The plan for this year is for the show to run for 3 days, Thurs 20th to Sat 22nd October. I have been in contact with the Operations Manager about how this will progress at the Regatta grounds. Plans are still to be finalised and we will be invited to a site meeting before the end of June.

I plan to do a stock take of the toy kits we have on hand and there will be a call out for assistance in preparing new kits to ensure we have enough to conduct the event. I will keep you updated on details of this as it develops.

Beginner woodturning classes with John Penprase recommenced on 12 May with 4 eager participants. John is also starting up a 4 week Intermediate Woodturning class on Saturday afternoons starting on 4 June. Talk to John if you are interested in joining another Intermediate wood turning course commencing in August.

Your Committee is refreshing the contact details of all members and their emergency contact details, to meet our responsibilities for health and safety requirements at the Guild. This information will be invaluable should any member fall ill or be injured at the Guild premises and allow the Workshop Manager to quickly notify your family of any issue. If you have not completed a form with your emergency contact details please see me for a blank form.

We are still waiting for advice about our rental of the current Guild premises from Cosgrove High School, despite multiple requests, so we are proceeding as normal. In the meantime the committee is investigating other potential options for relocating the Guild's operations as a contingency and we will let you know of any developments in this area.

COVID wearing of masks has been relaxed in meetings and gatherings but please feel free to wear them if you feel safer and more comfortable .

Clinton Luckock, President.

John Penprase behind the mask, face plate turning, part of his talk about wood turning chucks for the April meeting.





Examples of wood turning chucks shown by John Penprase during his talk on this subject at the April meeting.

Brian Ridler demonstrating his new laser printer at the April meeting.





'Kumiko' Group - See below, Kerry Fraser has developed an interest making in kumiko patterns, the Japanese art of joining small thin pieces of wood to form the lattices for use in screens, shoji, or furniture items. Kerry has bought reference books on this subject, made jigs and practiced making impressive kumiko pieces. Would you like to try this branch of woodworking? **On Saturday 18 June from 9.30 am until 11.30 pm at the Guild workshop** Kerry will talk about and demonstrate kumiko, bring your workshop safety gear and enjoy this interesting subject. He will also hold **a second kumiko workshop on Saturday 16 July at the same times.**





Happy Guild members enjoying lunch at George Harris workshop at Sandfly.

COVID 19 Safety

If you feel unwell or have possible COVID symptoms please do not attend any Guild activity.

Please note, all members attending meetings, Special Interest Group activities, workshop must sign in to an attendance book.

Please continue to regularly sanitise hands and feel free to wear a mask during meetings, if you wish

Suggestions for visits - speakers - demonstrations - activities

Any suggestions would be gratefully accepted by your Committee to help it's planning work to deliver interesting meetings, visits or activities, during 2022. Please talk to a Committee member or email your suggestion to: woodguildtas@gmail.com

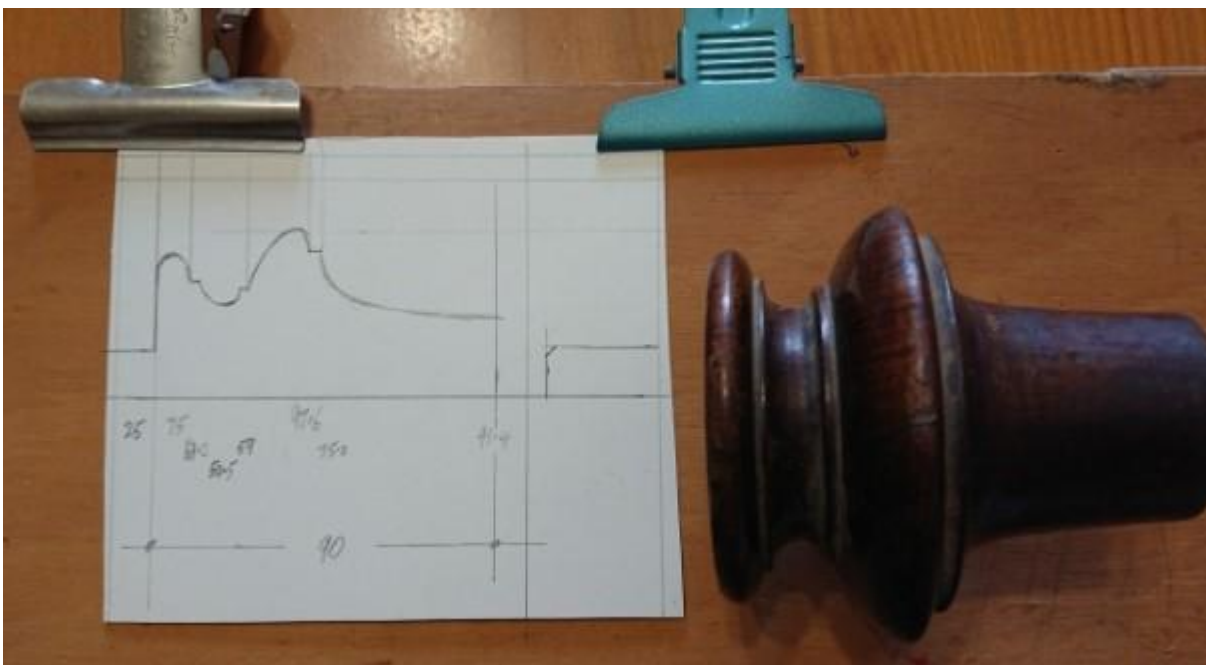
Buy - Sell - Swap - Give away - Loan

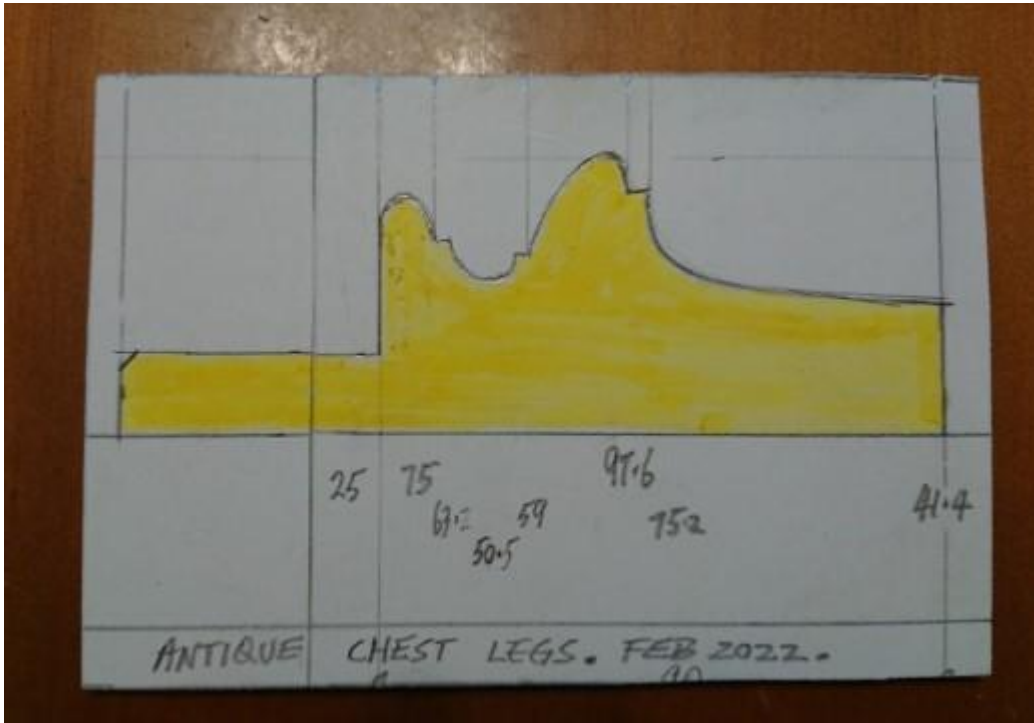
If you have an item to sell, swap or give away, then send me an email and a photo, and we will advertise it for you.

Wanted - a 12 - 16 inch bandsaw up to 15 years old in good or better condition, contact Mike Dowd, email dowpaca2@bigpond.com or 0448 578 370 or 6239 6223.

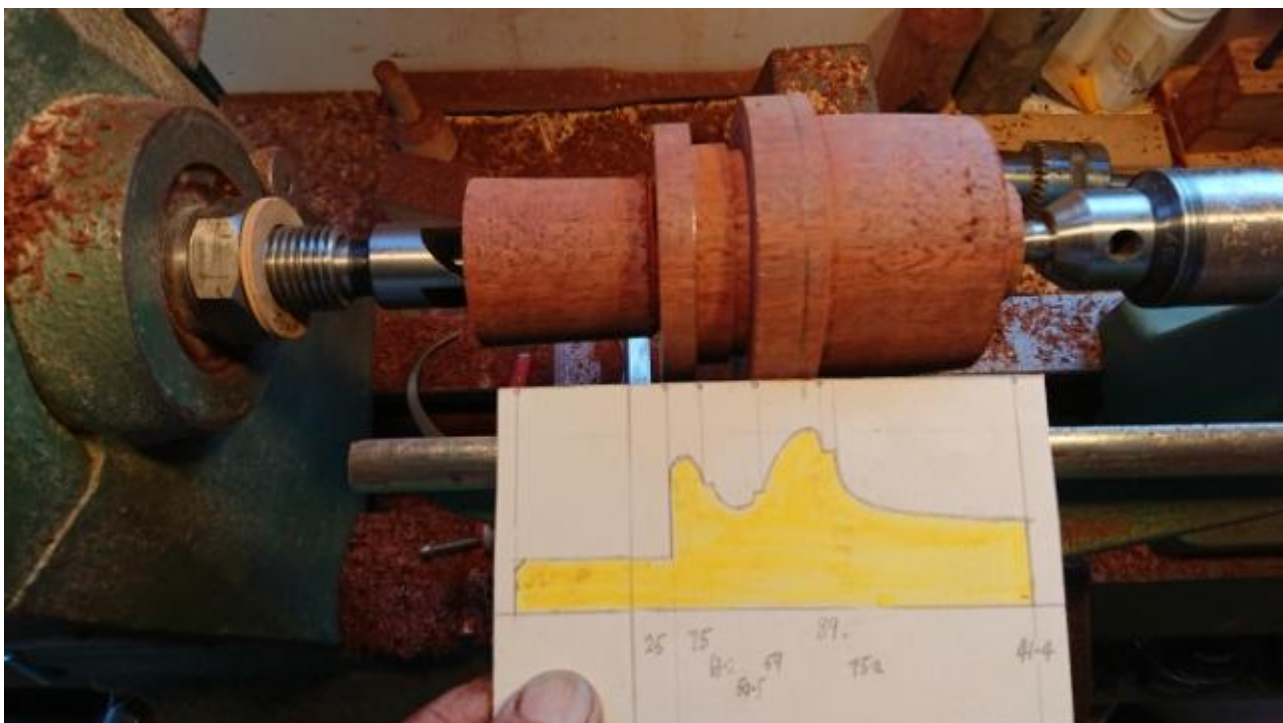
Wood turning, how to copy a shape for repairs or for a new project, pics and words provided by John Penprase

1. make a working template - measure the piece, length & section diameters, and plot these on graph paper or on a plan with squares, rulers & calipers then draw the curves.





2. Turn to round and then mark and turn each section a little over-size to allow for final turning to shape, according to the template.



3. Turn each segment to shape between the sizing marks / cuts.



4. Sand to a fine finish, keep the edges sharp and finish the leg shaft to size.



5. Now make three more to complete the set of four, well done! Happy turning.



Workshop Slice - tested at the Guild, thanks to Lynn Dowling.

'Chocolate Fruit Slice with lemon icing.

Ingredients: 1 cup SR flour, 1 teaspoon mixed spice, 3/4 cup castor sugar, 1 cup mixed fruit, 1/2 cup dessicated coconut, 1/2 cup choc bits, 2 eggs lightly beaten.

Icing - 1 1/2 cups icing sugar, 1 teaspoon soft butter, approx 1 tablespoon lemon juice.

Instructions:

Grease a 23 cm square slab pan. Combine sifted dry ingredients - flour, sugar, spice, fruit, choc bits and coconut in a large bowl. Stir in beaten eggs and butter, press mixture evenly into prepared pan. Bake in moderate oven for about 25 minutes.

Lemon icing - sift icing sugar into a small bowl, stir in butter and enough lemon juice to make a stiff paste. Stand for the baked slice for 10 minutes then spread with icing, cool in pan before cutting into squares or fingers.

If not eaten in the first day this slice will keep for three days.

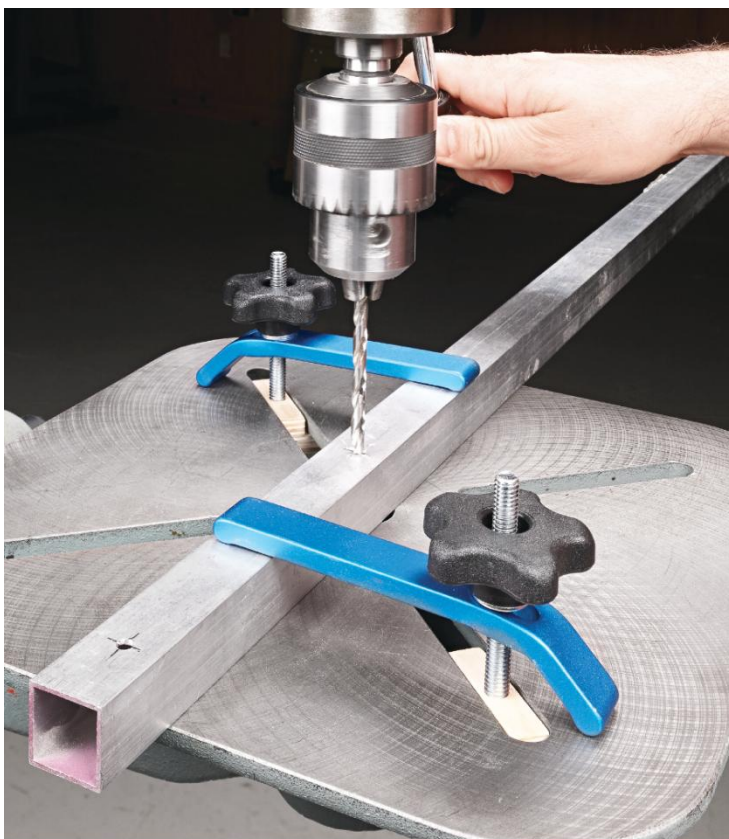


Beautiful Tasmanian timbers in a strip planked kayak by Scott McKenzie

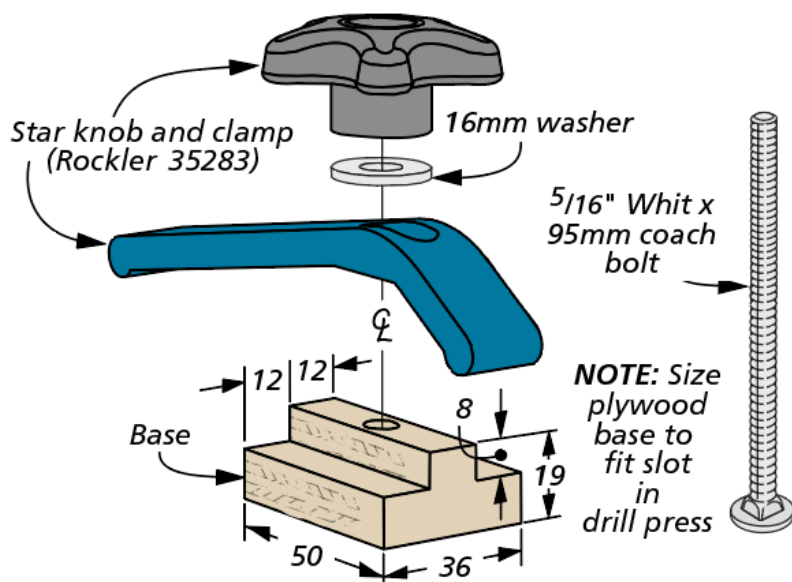


Helpful woodwork related tips

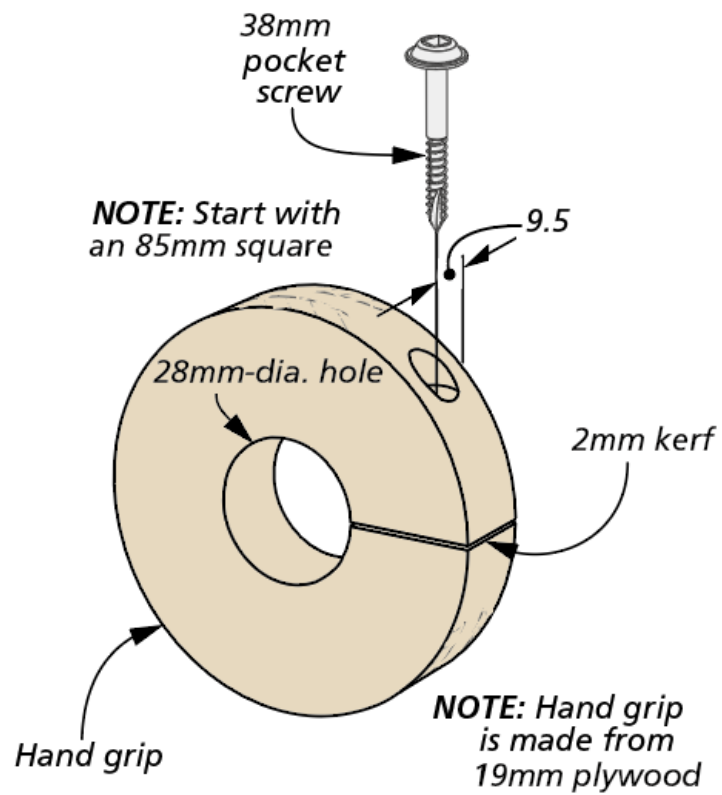
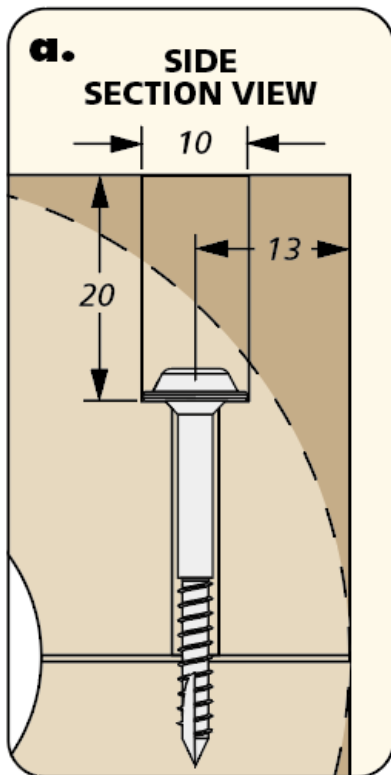
Handy hold downs for your drill press



These simple hold-downs are custom fit to the slots of your drill press table. Two of these clamps will cover all your needs.



Extra grips for hand clamps



Guild meetings:

second Tuesday of each month from 7.00 pm to 8.30 - 9.00 pm at Cosgrove High School, Main Road, Derwent Park.

Enter by **Felicity Lane**, which is adjacent to the Zooper/Motors used car yard in Main Road. Telephone any Committee member for more specific details.

Contributions for the Newsletter and Website please!

Please email images of your work or interesting items, web links to useful projects or tips whenever you can.

President	Clinton Luckock	0418 114 022
Vice President	John Penprase	6228 2274 / 0429 185 769
Secretary	Ken Dowling	0438 610 920
Treasurer	Tom Black	0411 550 483
Committee	Kerry Fraser	6269 3729
	Rod Daly	6267 2436 / 0428 335 173
	George Harris	6223 3875 / 0409 973 344
	Murray Jessup	0409 951 202
OH&S Co-ordinator	Kerry Fraser	
Librarian	Brian Weeding	
Workshop Supervisor	John Penprase	
Newsletter Editor	- Murray Jessup, email mjjessup@internode.on.net	

Please consider our two loyal sponsors of the Guild newsletter,

Specialised Joinery Supplies at 43 Burnett Street, North Hobart, and

Carbatec at 17 Farley Street, Glenorchy.

when you open your wallets to purchase tools, machinery or consumables.

Think Local and Support Local, where possible.

Enjoy happy hours and days in your workshop,

Murray Jessup, Newsletter Editor.



Specialised JOINERY SUPPLIES



Specialised JOINERY SUPPLIES is Tasmanian Owned and Operated

We are your only Festool Premium Shop in Tasmania.

We carry products from the following suppliers



Carb-i-tool Router Bits
Hermes Abrasives
Festool Power Tools
Hettich Cabinet Hardware
Titebond Glue
Bessy Clamps

Fein Power Tools
Pens for Woodturning
Vicmarc Wood Lathes & Chucks
Arbortech
Opteco Circular Saw Blades
Virutex Power Tools

Ubeaut Turning Finishes
Rustins Danish Oil
Kreg Pocket Hole Jigs
Tormek Sharpening Systems
LEDA Woodworking Machinery
Excision Bandsaw Blades

43 Burnett Street, North Hobart, Tasmania, 7002

p:03 6231 9066

f:03 6231 5757

e:sales@sjs.net.au

w:www.sjs.net.au



carbatec
THE HOME OF WOODWORKING

SAVE 15%*

Woodworkers' Guild members
SAVE 15% on all* purchases at
Carbatec - The Home of Woodworking!

*Offer excludes gift cards, already discounted items, Festool, Axon, Veritas, & Freight.

We'd love to see you in store, come and visit us
to see our range of quality woodworking hand
tools, machinery and timber.

CARBATEC HOBART RETAIL STORE

ADDRESS 17 Farley Street, Glenorchy Tasmania 7010

PHONE +61 03 6272 8881 EMAIL hobart@carbatec.com.au

**SHOP THE BEST BRANDS
IN MACHINERY AND
HAND TOOLS, BLADES,
BITS, BLANKS AND MORE!**

BORA
FORSAKEN

carbatec

CMT

FESTOOL

LAGUNA

LAGUNA

NOVA

PIEL

Richard Rocky

ROCKWELL



VERITAS



CARBATEC.COM.AU